

46-620 R and R steering column

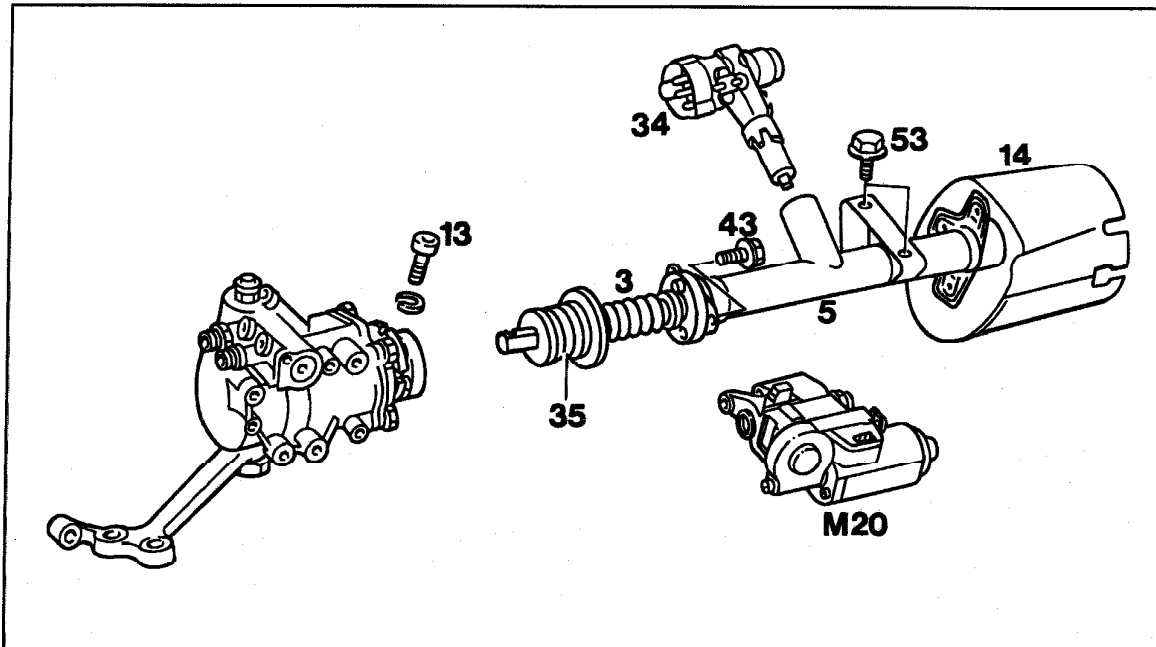
Preliminary work:

Cover below instrument panel removed (68-150).

Steering wheel removed (46-610).

Instrument cluster removed (54-250).

Combination switch removed (54-310).



P46-5087-55

Allen screw (13)	screw out, screw in, 25 Nm. Steering gear in center position, use center position check screw 116 589 06 21 00, if required (step 1).
Cover (14)	remove, install (step 2).
Steering wheel lock (34)	remove, install (46-640) (step 3).

Vehicles with electrically adjustable steering column

Motor for steering column

adjustment (M20)	disconnect plug connectors, reconnect (step 4).
Hex. head bolts (43)	screw out, screw in, 10 Nm (step 5).
Rubber collar (35)	pull out of front section, install. Check rubber collar for damage (step 6).

46-620 R and R steering column

Hex. head bolts (53) screw out, screw in, 25 Nm (step 7).

⚠ CAUTION!

Do not use force.

Complete jacket tube (5) remove, install. Do not damage bottom steering spindle (corrugated tube) (3). On vehicles with electrically adjustable steering column assure that the steering coupling makes contact with the sealing ring when installing (step 8).

Bottom steering spindle (3) check runout, max. lateral deviation 2 mm and length 414.5 ± 0.5 mm (steps 9-10).

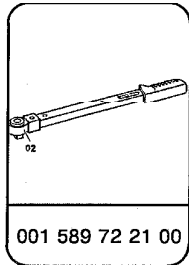
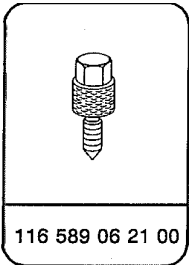
Lubricant

Lubricant Shell Retinax A

Refer to factory approved service products list ¹⁾

¹⁾ Supplied with owner's literature or available through your local authorized Mercedes-Benz Dealer.

Special tools



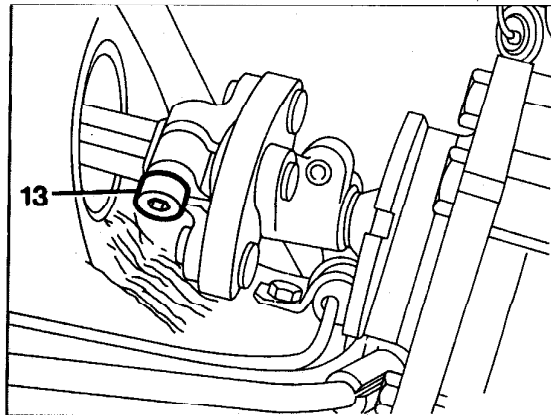
Removal, installation

- 1 Screw out Allen screw (13) so that steering coupling remains on steering gear.

Installation note

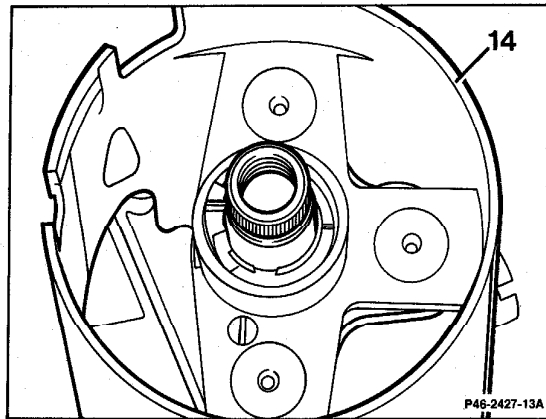
Tightening torque 25 Nm.

The steering gear should be in the center position, screw in center position check screw 116 589 06 21 00, if required.



P46-5083-13

- 2 Remove cover (14) on jacket tube.



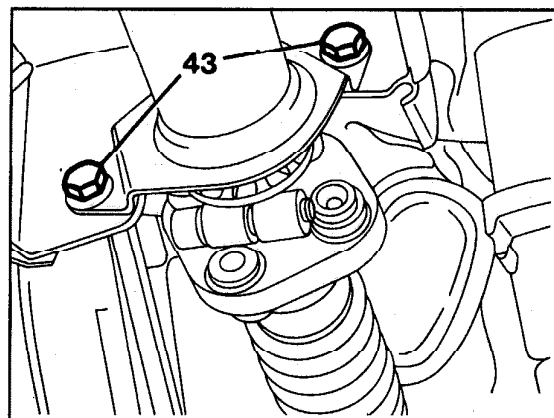
P46-2427-13A

- 3 Remove steering wheel lock (46-640).

Vehicles with electrically adjustable steering column

- 4 Disconnect plug connectors on motor for steering column adjustment (M20).

- 5 Screw hex. head bolts (43) out on mount.



P46-5079-13

Installation note

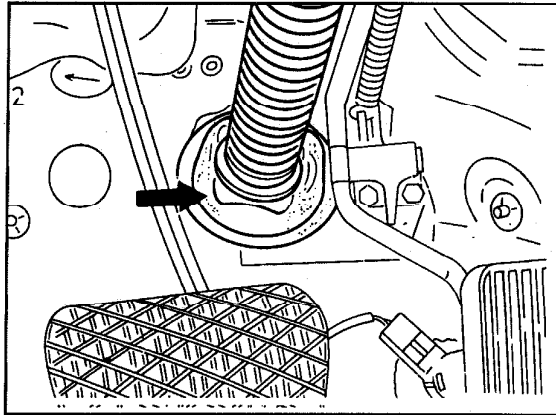
Tightening torque 25 Nm.

46-620 R and R steering column

- 6 Pull rubber collar (arrow) out of front section.

Installation note

Check rubber collar for damage.

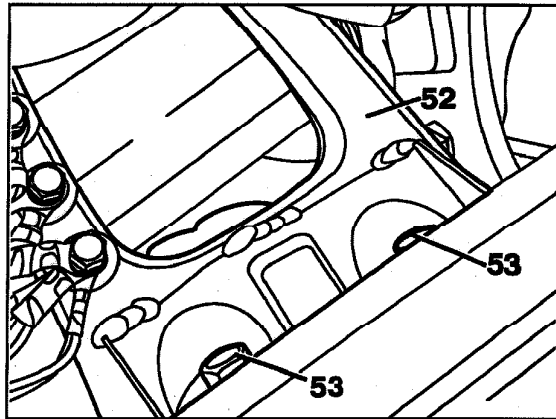


P46-2539-13A

- 7 Screw out both hex. head bolts (53) on mount (52).

Installation note

Tightening torque 25 Nm.



P46-2441-13A

⚠ CAUTION!

Do not use force. The design of the corrugated tube on the bottom steering spindle makes it relatively sensitive to lateral force.

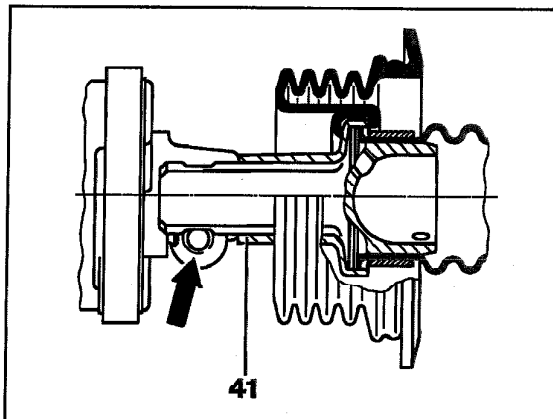
- 8 Press jacket tube downward and remove taking care not to damage bottom steering spindle (corrugated tube).

Installation note

Turn entire jacket tube approximately to center position (turn signal release cam at left), then insert into steering coupling through firewall (steering gear in center position).

Vehicles with electrically adjustable steering column

Assure that steering coupling makes contact with sealing ring (41) and that screw is screwed in through groove (arrow) in corrugated tube flange.



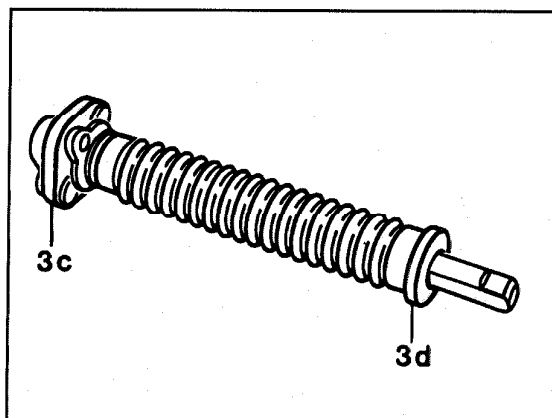
P46-0013-13A

9 Check bottom steering spindle. Check length = 414.5 ± 0.5 mm and runout as well as steering coupling (3c) (max. lateral deviation in area of corrugated tube 2 mm).

10 Coat sealing ring (3d) on bottom steering spindle lightly with "Shell Retinax A".

Note

Do not attempt to replace bottom steering spindle (corrugated tube) with jacket tube installed. This can result in bending the steering spindle or a change in the initial bearing tension for the upper steering spindle (46-625).



P46-2572-13A